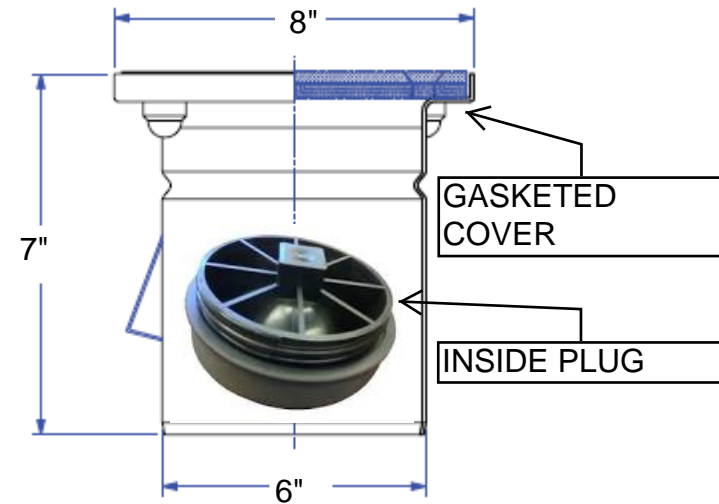


WICKETTS -ACO STAINLESS

SPECIFICATION

WFCO-08
8" HEAVY DUTY CLEANOUT
TYPE 304



Engineering Specification: TYPE 304 STAINLESS STEEL & SMOOTH HEAVY DUTY SOLID GASKETED COVER. INSIDE PLUG
[Meets The ASME A112.6.3 requirements.](#)

WICKETTS STAINLESS DRAINS.COM

WICKETTS STAINLESS, INC
825 S. LAKEVIEW AVE UNIT C
PLACENTIA, CA 92870
TEL. 949-438-7535
Fax: 951-638-9059
www.wickettsstainless.com
Sales@wickettsstainless.com



 WARNING: Cancer and Reproductive Harm
www.P65Warnings.ca.gov

Approved for Manufacturing
Company: _____
Signature: _____