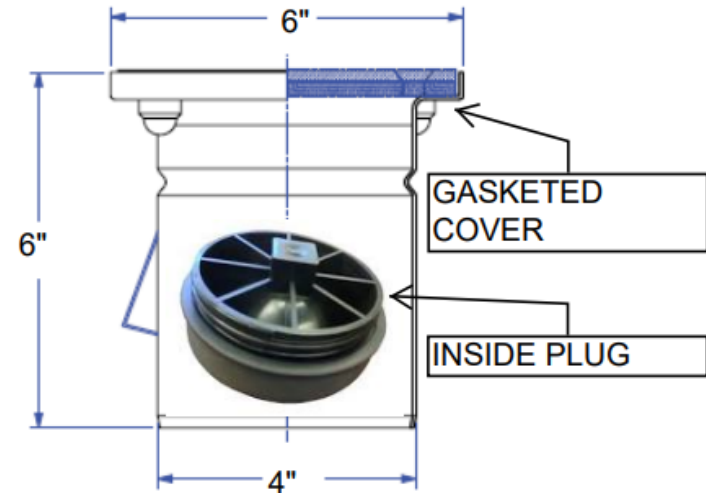


WICKETTS -ACO STAINLESS

SPECIFICATION

WFCO-06-316L SQUARE 6"
STAINLESS STEEL

Type 316L



Engineering Specification: 316L STAINLESS STEEL & SMOOTH HEAVY DUTY SOLID GASKETED COVER. INSIDE PLUG

WICKETTS STAINLESS, LLC.
2618 San Miguel Dr. Bldg.# 376
Newport Beach, CA 92660
T. 951-858-2548
Fax: 951-638-9059
www.wickettsstainless.com
Sales@wickettsstainless.com



Approved for Manufacturing
Company: _____
Signature: _____