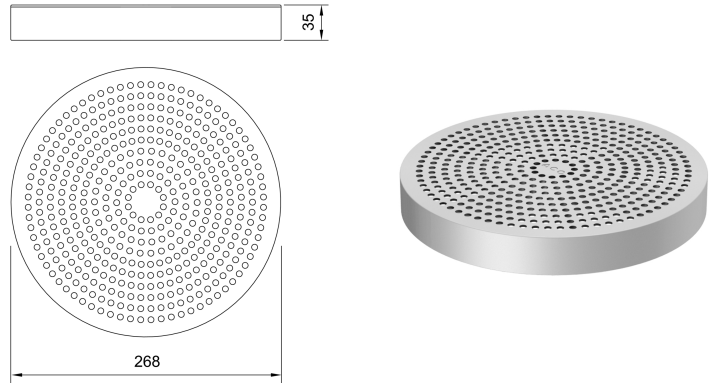


Round Perforated Grate 316L SS

Product information

- BIM models are available in ACO Building Drainage BIM Revit libraries



Technical Data

Slip resistant	Gully top size compatibility	Grating dimensions	Class	Material
		Diameter [mm]		
Without slip resistance	Gully top size: Ø 300 mm	Ø 268	L 15	1.4404

For more information please visit:
<https://www.wicketts-aco.com>

