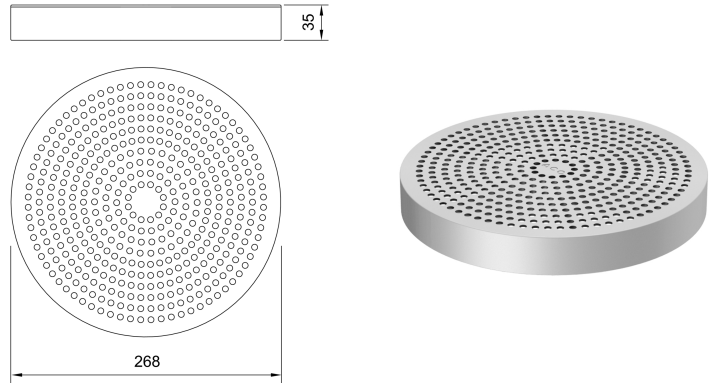


## Round Perforated Grate 304 SS

### Product information

- BIM models are available in ACO Building Drainage BIM Revit libraries



### Technical Data

Slip resistant	Gully top size compatibility	Grating dimensions	Class	Material
		Diameter [mm]		
Without slip resistance	Gully top size: Ø 300 mm	Ø 268	L 15	1.4301

For more information please visit:  
<https://www.wicketts-aco.com>

